

Declaration of conformity Seismic levelling feet

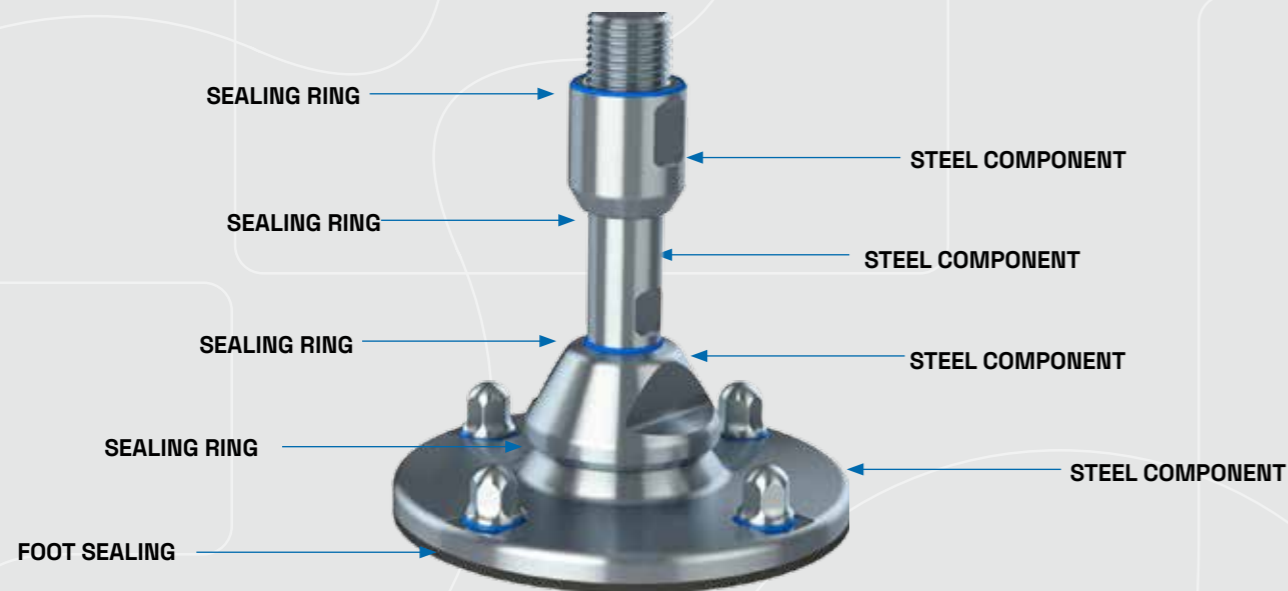


NGI A/S fundamentally adheres to all applicable directives and standards. All information is based on the current state of knowledge and is subject to change. We attentively follow the revisions/amendments to these directives and will design our products accordingly. This ensures that products from NGI A/S are always in compliance with currently valid requirements.

Our type of products is not covered by the scope of application of the EC directive on machinery. For this reason, they cannot be furnished with the CE marking in accordance with the EC directive on machinery.

NGI A/S, Virkelyst 3-7, 9400 Nørresundby, hereby declare that the listed materials applied for the products comply with the demands for materials used within the food and pharmaceutical industry.

Furthermore, we declare that the listed materials applied for the products comply with the demands for materials used within the food and pharmaceutical industries.



Declaration of conformity Seismic levelling feet

Materials, Surface Roughness, Fabrication and Geometry

Metallic surfaces are constructed from Stainless steel, AISI 304/A2 or by request Stainless steel, AISI 316/A4 and are corrosion resistant under the specified conditions of use including those of cleaning.

The elastomeric components are constructed from FDA approved NBR and silicone material. All materials used are considered non-toxic and are non-absorbent.

All exposed metallic surfaces are finished to maximum surface roughness values of 1.6 µm Ra. All elastomeric components and sealing washers are left as molded with no hand trimming and all surfaces are considered smooth enough to ensure that cleaning is easy.

There are no exposed dissimilar metal-to-metal contact areas in the construction where galvanic corrosion could occur.

Sealing designs permit access for easy cleaning with no inaccessible pockets or crevices.

There are no risk of exposed threads and no unsealed metal-to-metal joints in the finished construction.

All exposed surfaces have a smooth finish such that soil may be cleaned from the surface using manual cleaning techniques and be free of pits, folds, cracks, crevices, and other imperfections in the final fabricated form.

Drainability and Installation

The units are designed to be self-draining and contain no horizontal ledges.

Comprehensive instructions are provided containing detailed information to ensure compliance with the 3-A and EHEDG design criteria, when the product is certified.

The 3-A Sanitary Standard 88-00 requires that when machine leveling feet or supports are properly mounted on the equipment, they shall provide a minimum clearance between the lowest part of the equipment and the floor of not less than 4.0 in. (102 mm) if the equipment outlines an area in which no point is more than 12.5 in. (318 mm) from its nearest edge. If the equipment outlines an area in which any point is more than 12.5 in. (318mm) from its nearest edge the clearance shall be at least 6 in. (152mm).

The EHEDG guideline recommends a minimum clearance between the equipment and the floor or wall of 300mm for easy cleaning and inspection.

When fasteners are required, only domed head screws and dome headed nuts must be used. The exposed interfaces shall be sealed with sealing washers and there must be no threads exposed in the installed configuration of the machine feet.

Declaration of conformity Seismic levelling feet

- Certified hygienic
- Minimized cleaning time
- Minimized water usage

Maintenance and Cleaning

Foot bases can be sealed to the floor if required. The instructions make recommendations not to span over floor imperfections or grout lines without the addition of proper sealing compounds.

Maximum torque values are specified as appropriate on fastening arrangements to avoid over-compression of sealing washers and gaskets.

Maintenance instructions are clearly defined and prohibit the use of non-genuine replacement parts.

Cleaning instructions describe typical cleaning procedures with recommended maximum temperatures/pressures and stipulate the use of non-abrasive cleaning aids.

The design does not contain dead spaces and avoid accumulation of soil, microorganism's insects and other vermin in areas which cannot be easily cleaned.

Adhesives, Lubricants, Insulation and Signal Transfer Liquids

Sealing and thread locking compounds used in the construction are non-toxic in the cured state.

No lubricants, insulation material or signal transfer liquids are used in the construction.

Standards and directives

EN 1672-2:2005 Food machinery / General design principles/Part 2: Hygiene requirements.

EN ISO 14 159 2004 Safety of machinery "Hygiene requirements for the design of machinery.

Document 13 EHEDG guideline on the hygienic design of apparatus for open processes.

Similar NGI designs meets the criteria for Hygienic Equipment Class I for components situated in the non-food area and are accessible for easy cleaning without dismantling.

The weighing levelling feet design is according to 3-A Sanitary Standard for Machine Leveling Feet and Supports.

Certified according to USDA Guidelines "Dairy Equipment and NSF ANSI 3-A 14159-1-2014 for the sanitary design and fabrication.

New Zealand seismic standard NZS 4219.



IN CONFORMANCE WITH NZS 4219; NZS 1170.5
NEW ZEALAND

EU regulations

852/2004 on the hygiene of foodstuffs.

853/2004 specific hygiene rules for food of animal origin.

854/2004 specific rules for the organization of official controls on products of animal origin intended for human consumption.

1935/2004 on materials and articles intended to come into contact with food

Declaration of conformity Seismic levelling feet

The declaration of materials concerns the following Applications

Application:

Material type:

Compliance:

STEEL COMPONENT

Stainless steel, AISI 304/A2 (X5CrNi18-10), Euro norm 1.4301.
By request: Stainless steel, AISI 316/A4 (X 5 CrNiMo 17 12 2), Euronorm 1.4401
EN 10204 Type 2.2. NGI A/S states that the product is in compliance with the order with indication of results of nonspecific inspection.
NGI A/S has got EN 10204 type 3.1 inspection certificates on all material used in the products but not specified for each foot.

In the directive 94/9/EC, Equipment for potentially explosive atmospheres, also known as the ATEX directive, equipment without its own potential source of ignition are not covered, nor shall be marked according to the directive. However, NGI levelling feet are suitable for use in all ATEX zones.

Application:

Material type:

Electrically:

Color:

Hardness:

Range of temperature:

Load:

Foot sealing

NBR by request EPDM

Non-conductive

Black

Shore A 80 ± 5

Min -20°C to Max +110°C

Low load capacity

Compliance:

REACH:

In accordance with regulation EC 1907/2006.
Do not contain any substances above 0.1% (w/w) from:
The Candidate List of Substances of Very High Concern (16.01.2020).
Annex XVII (19-11-2019)

RoHS 2 & RoHS 3

In accordance with the directive 2011/65/EC and 2015/863/EC OF EUROPEAN PARLIAMENT AND OF THE COUNCIL.

ADI free:

Does not contain any substances originating from humans or animals.

Bisphenols:

Does not contain Bisphenols as described in 1895/2005/EEC. Nor BPA, BADGA, BFDGE or NOGE.

ODS:

Does not contain ozone depleting substances. In accordance with the Regulation EC 1005/2009 OF EUROPEAN PARLIAMENT AND OF THE COUNCIL OF 16 SEPTEMBER 2009 and Regulation EC 2037/2000 OF EUROPEAN PARLIAMENT AND OF THE COUNCIL OF 29 JUNE 2000.

Conflict Materials:

In accordance with US Law: "Dodd Frank Wall Street Reform & Consumer Protection Act", sec. 1502, of 21.07.2010.

GMP:

Good manufacturing process in accordance with 2023/2006 EC.

Hazardous materials:

Does not contain any hazardous substances as described in the Hong Kong International Convention for the Safe and Environmental. Sound Recycling of ships, 2009.

Phthalates:

Does not contain phthalates.

FDA:

Guideline 21 CFR 177.2600

Application:

Material type:

Electrically:

Chemical resistance:

Hardness:

Color:

Range of temperature:

Storage:

Compliance:

Sealing ring

Silicon rubber

Non-conductive

High to commonly applied cleaning agents

Shore A 60 ± 5

RAL 5010 (blue)

Min -60°C to Max +200°C

According to ISO 2230

FDA: Guideline 21 CFR 177.2600

RoHS 2: In accordance with the Directive 2011/65/EC OF EUROPEAN PARLIAMENT AND OF THE COUNCIL.

GMP: Good manufacturing process in accordance with 2023/2006 EC.